

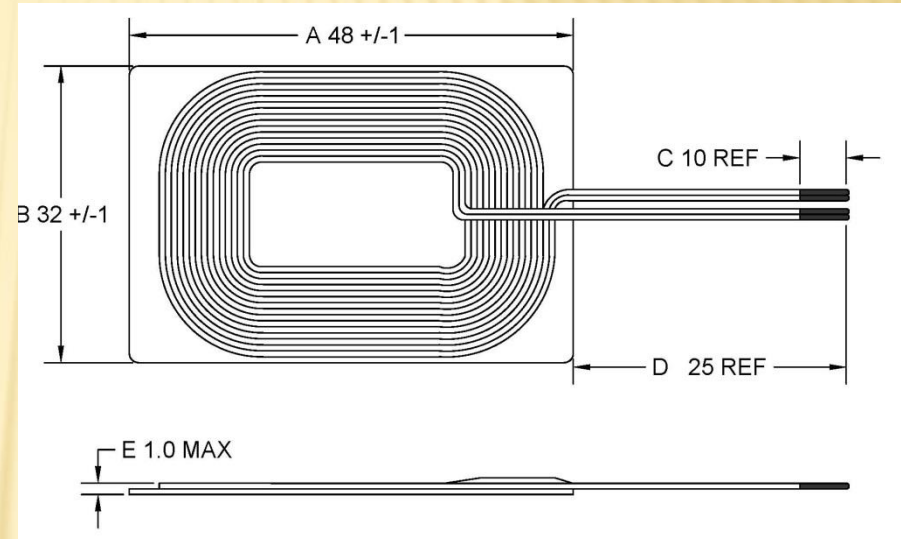


WIRELESS CHARGING (RX) RECEIVER COIL

TMWRX01



MECHANICAL DIMENSIONS:



ELECTRICAL SPECIFICATION:

PARAMETERS	UNIT	LIMIT
INDUCTANCE 100KHz 1V	μH	$11.5.0 \pm 10\%$
DCR	$\text{m}\Omega$ (Max)	225